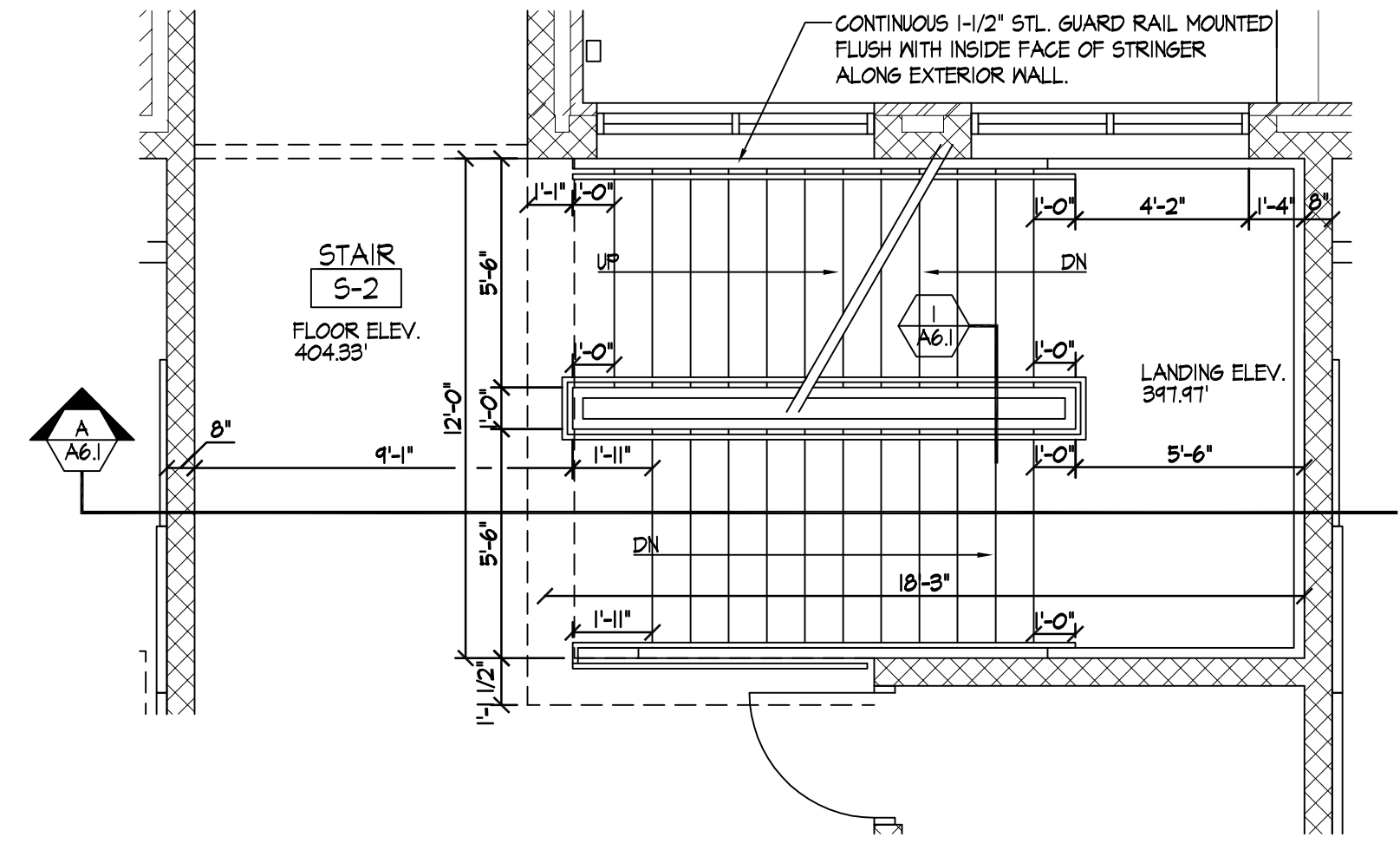
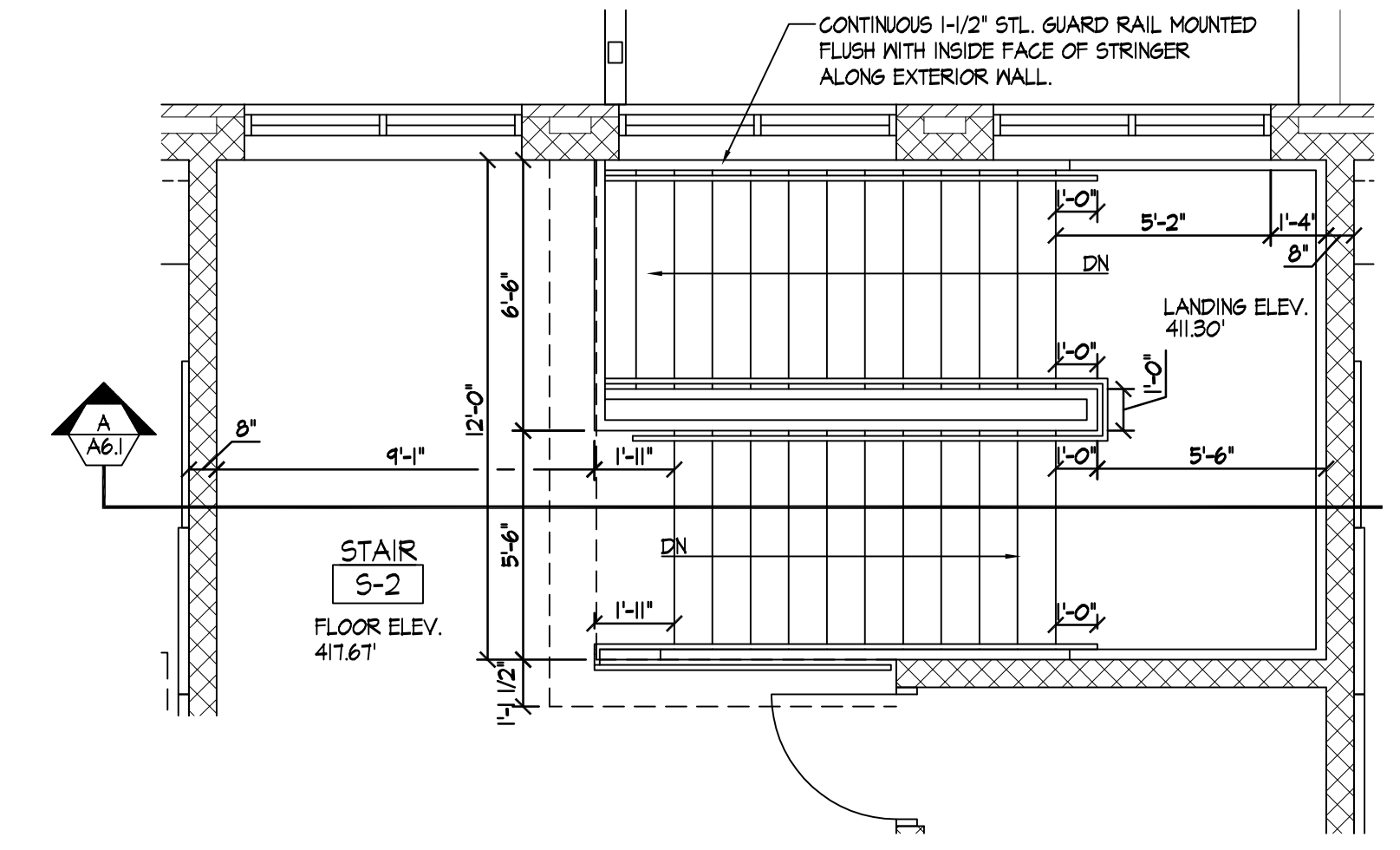


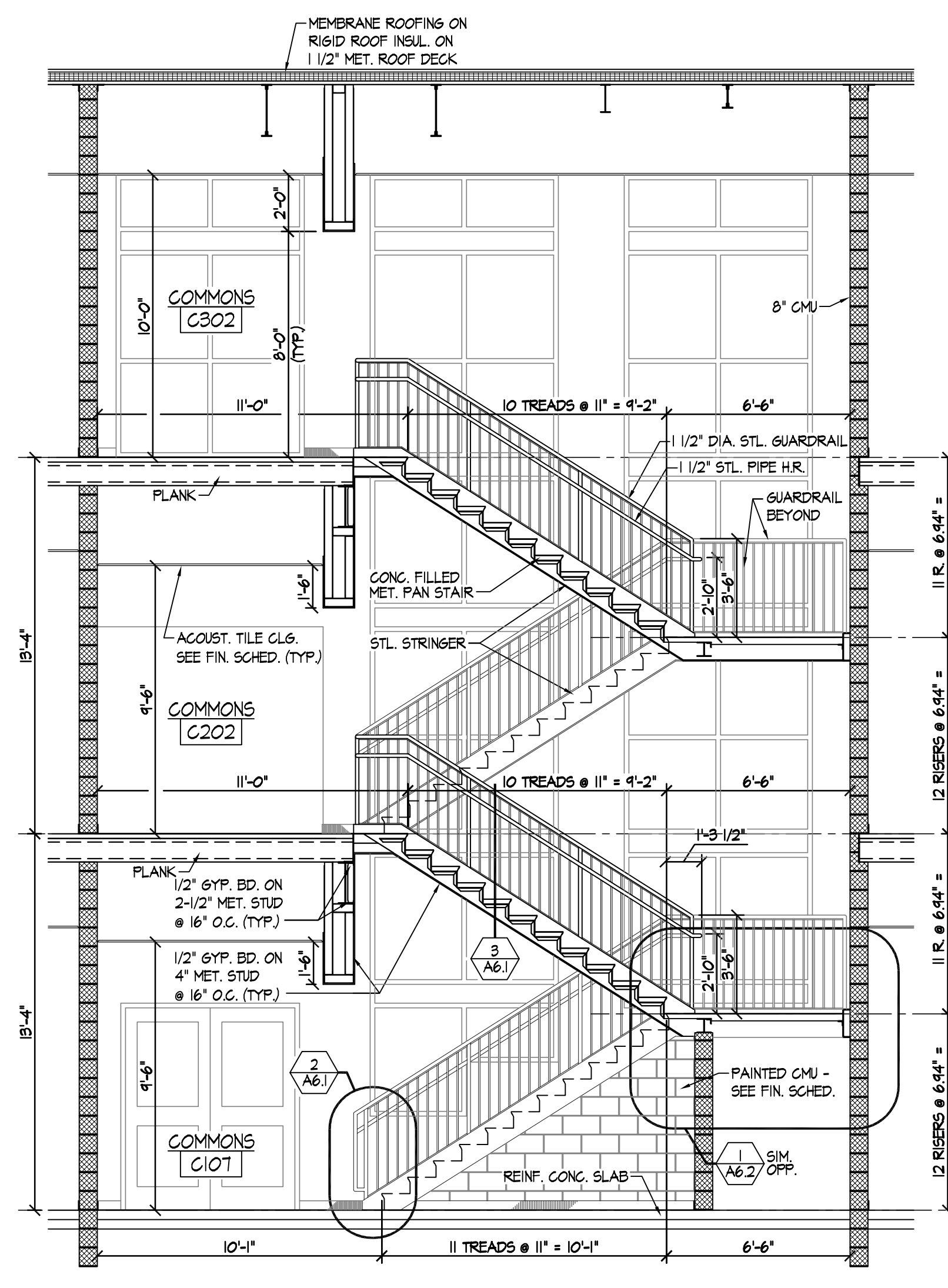
**FIRST FLOOR AT STAIR S-2**  
SCALE: 1/4" = 1'-0"



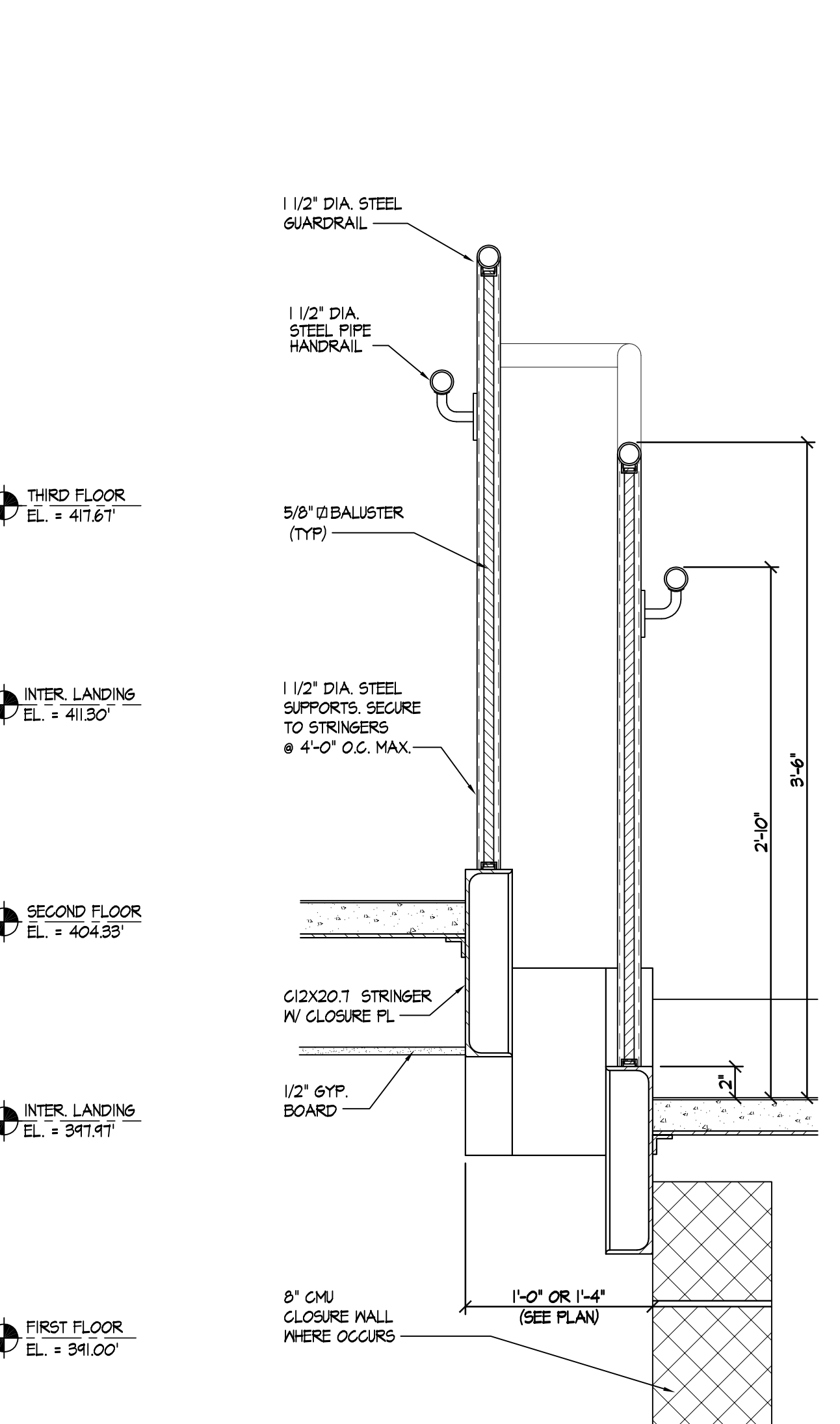
**SECOND FLOOR AT STAIR S-2**  
SCALE: 1/4" = 1'-0"



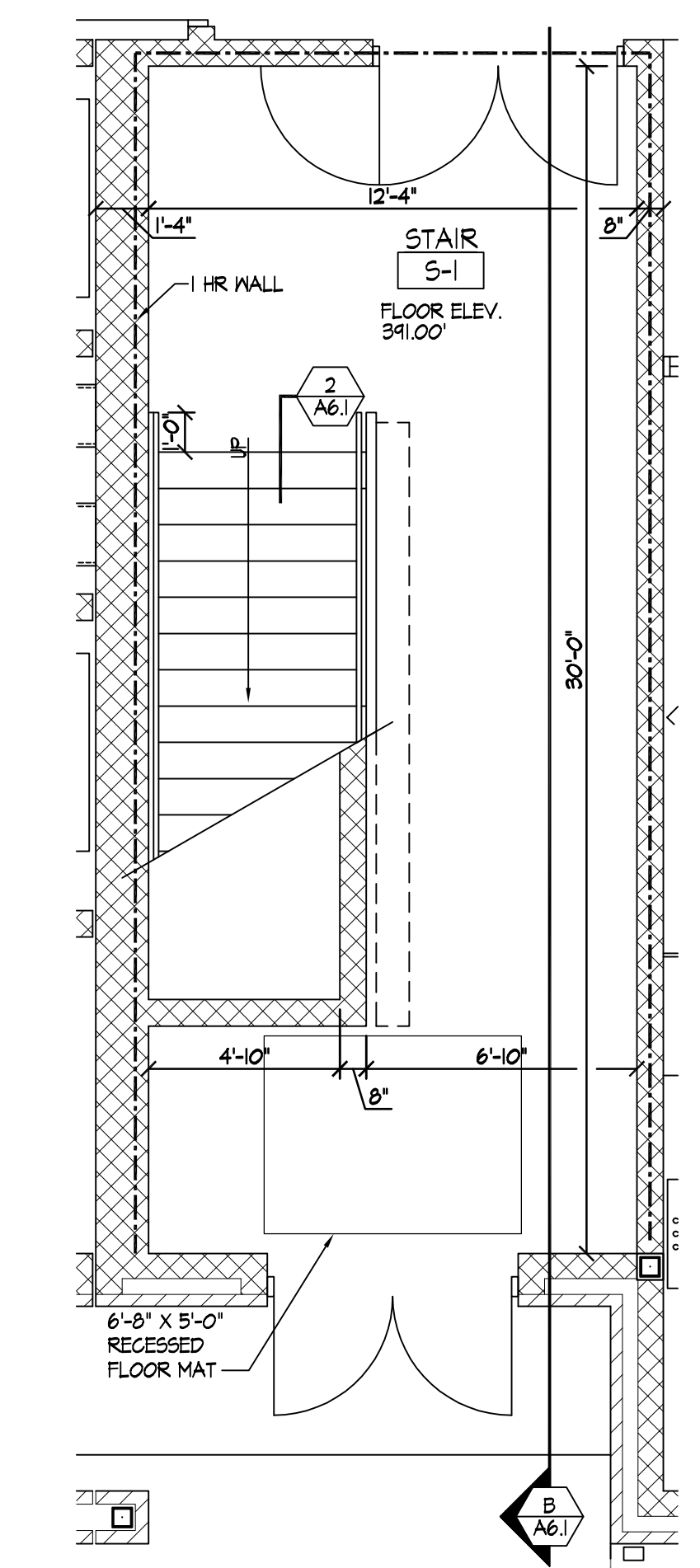
**THIRD FLOOR AT STAIR S-2**  
SCALE: 1/4" = 1'-0"



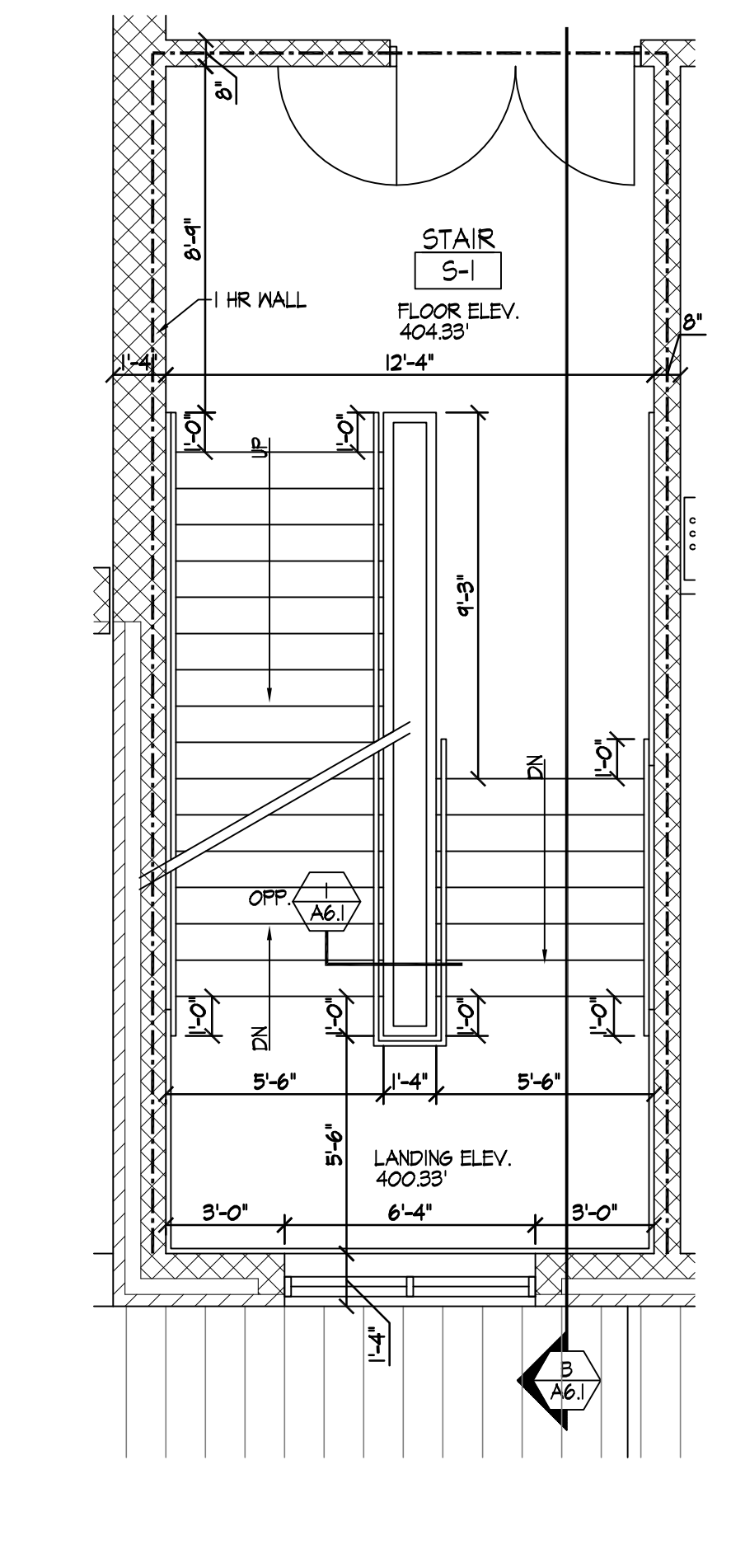
**SECTION AT STAIR S-2**  
SCALE: 1/4" = 1'-0"



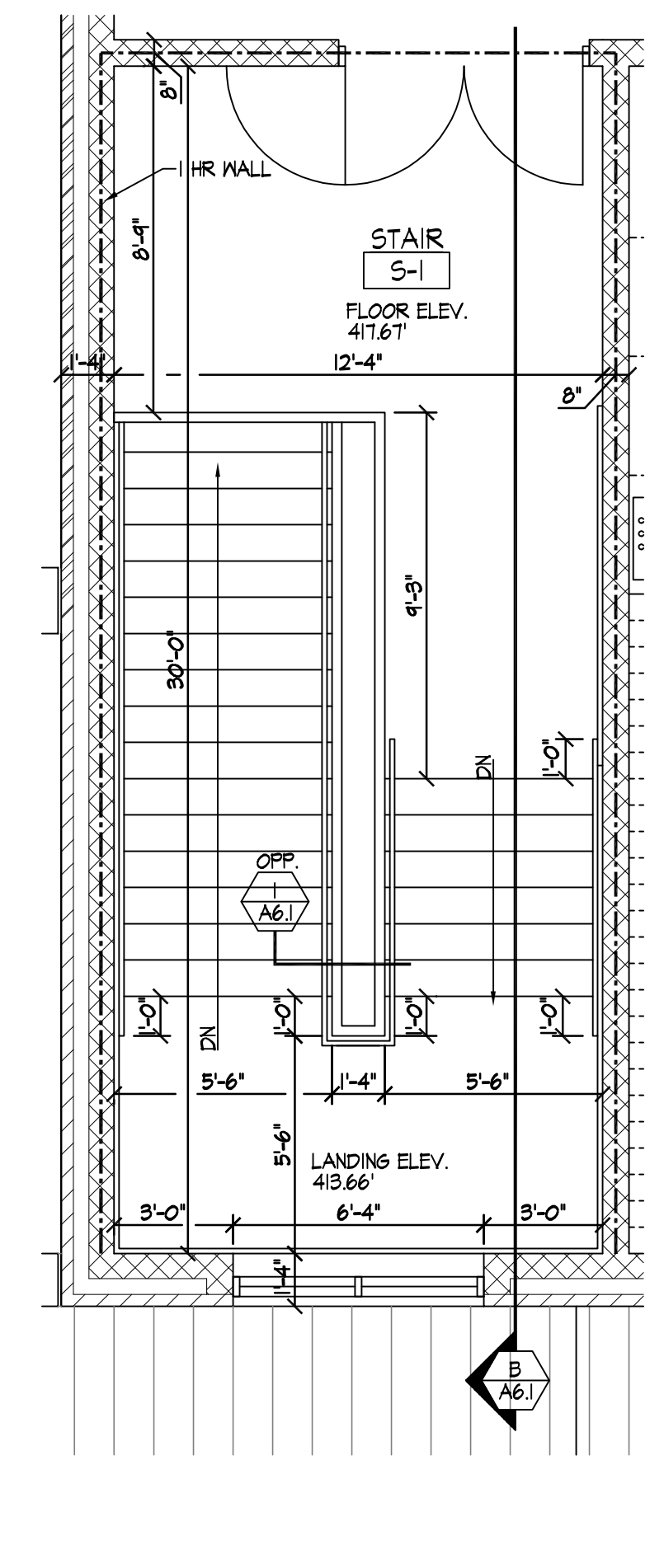
**DETAIL**  
SCALE: 1 1/2" = 1'-0"



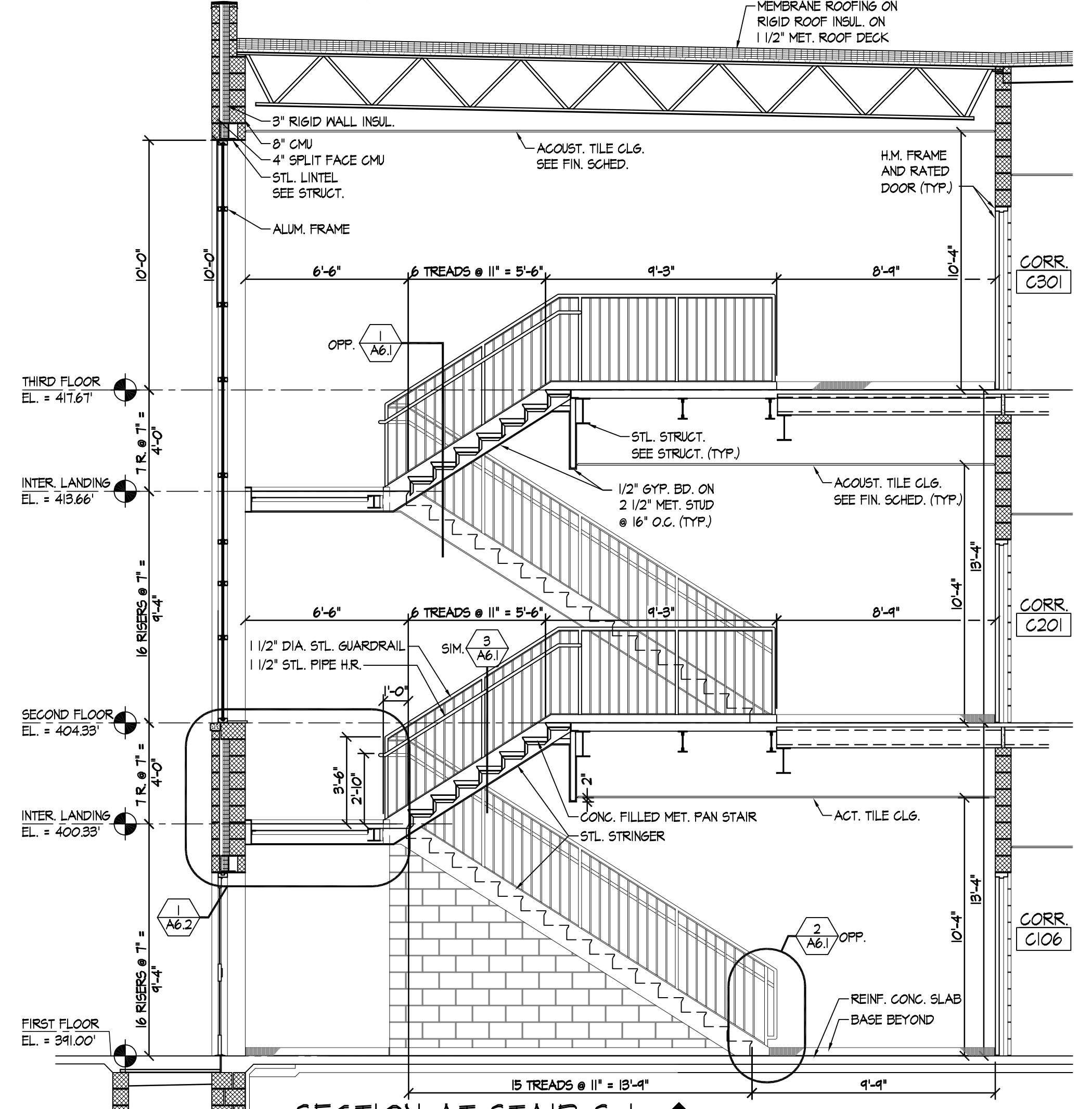
**FIRST FLOOR AT STAIR S-1**  
SCALE: 1/4" = 1'-0"



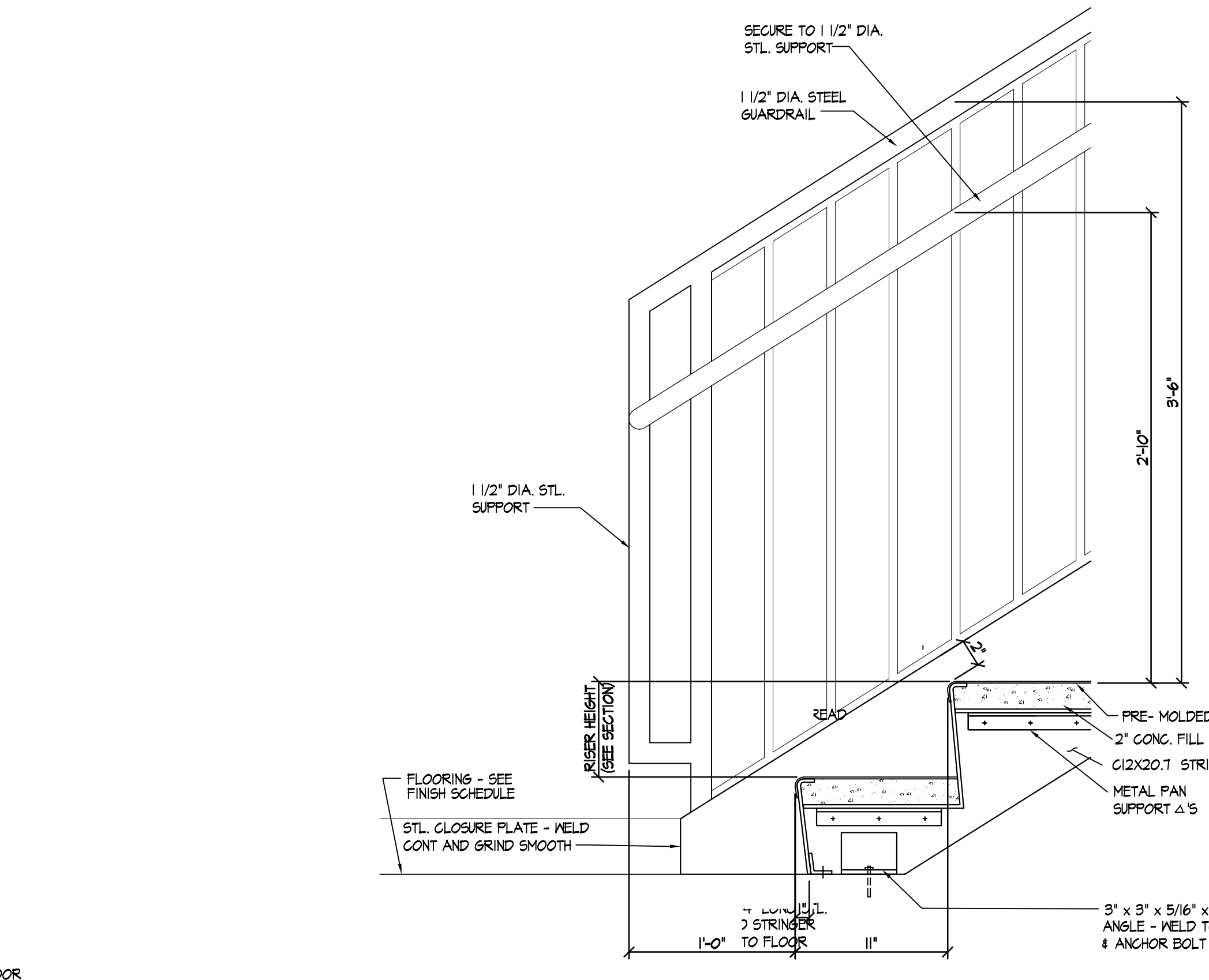
**SECOND FLOOR AT STAIR S-1**  
SCALE: 1/4" = 1'-0"



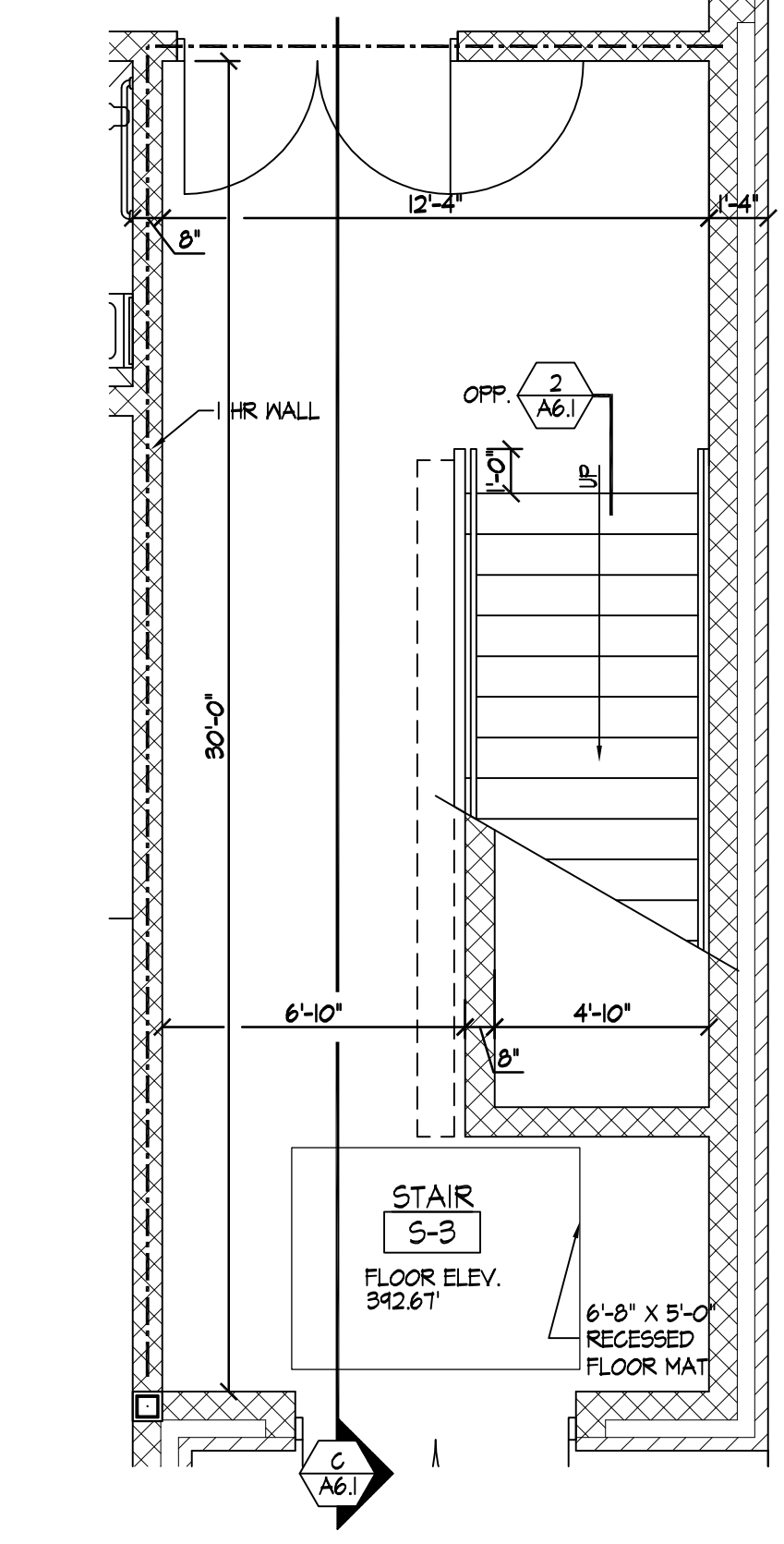
**THIRD FLOOR AT STAIR S-1**  
SCALE: 1/4" = 1'-0"



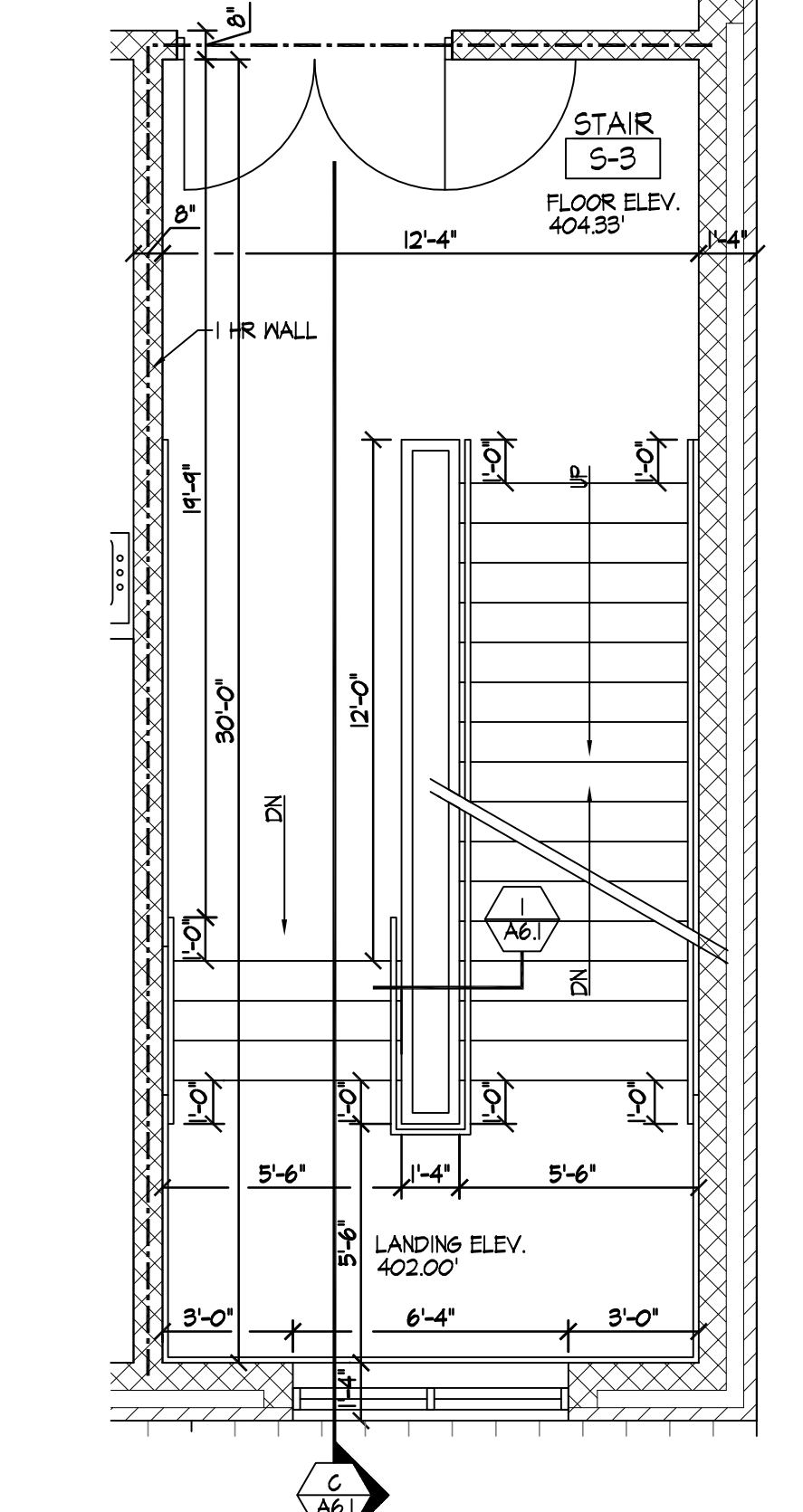
**SECTION AT STAIR S-1**  
SCALE: 1/4" = 1'-0"



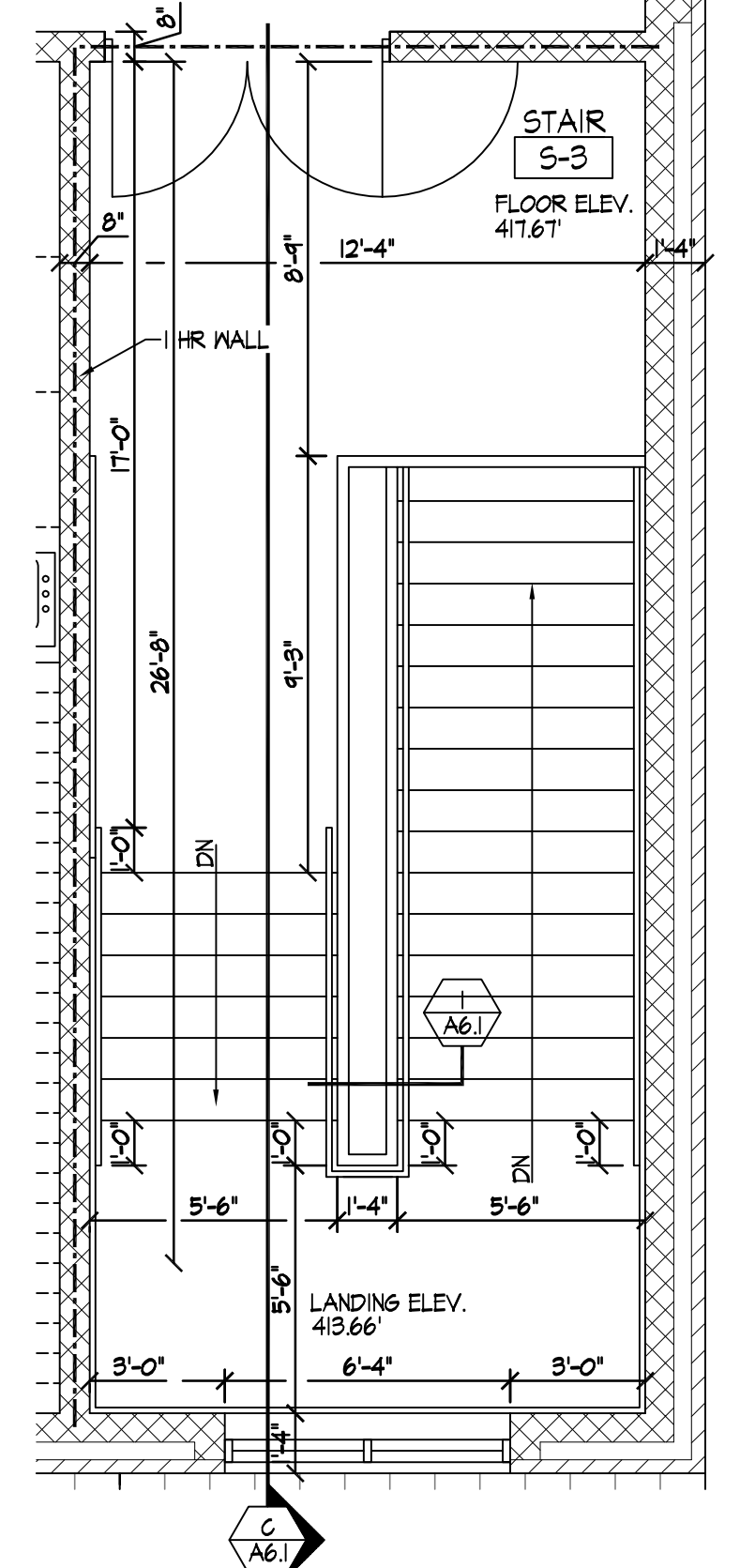
**DETAIL**  
SCALE: 1 1/2" = 1'-0"



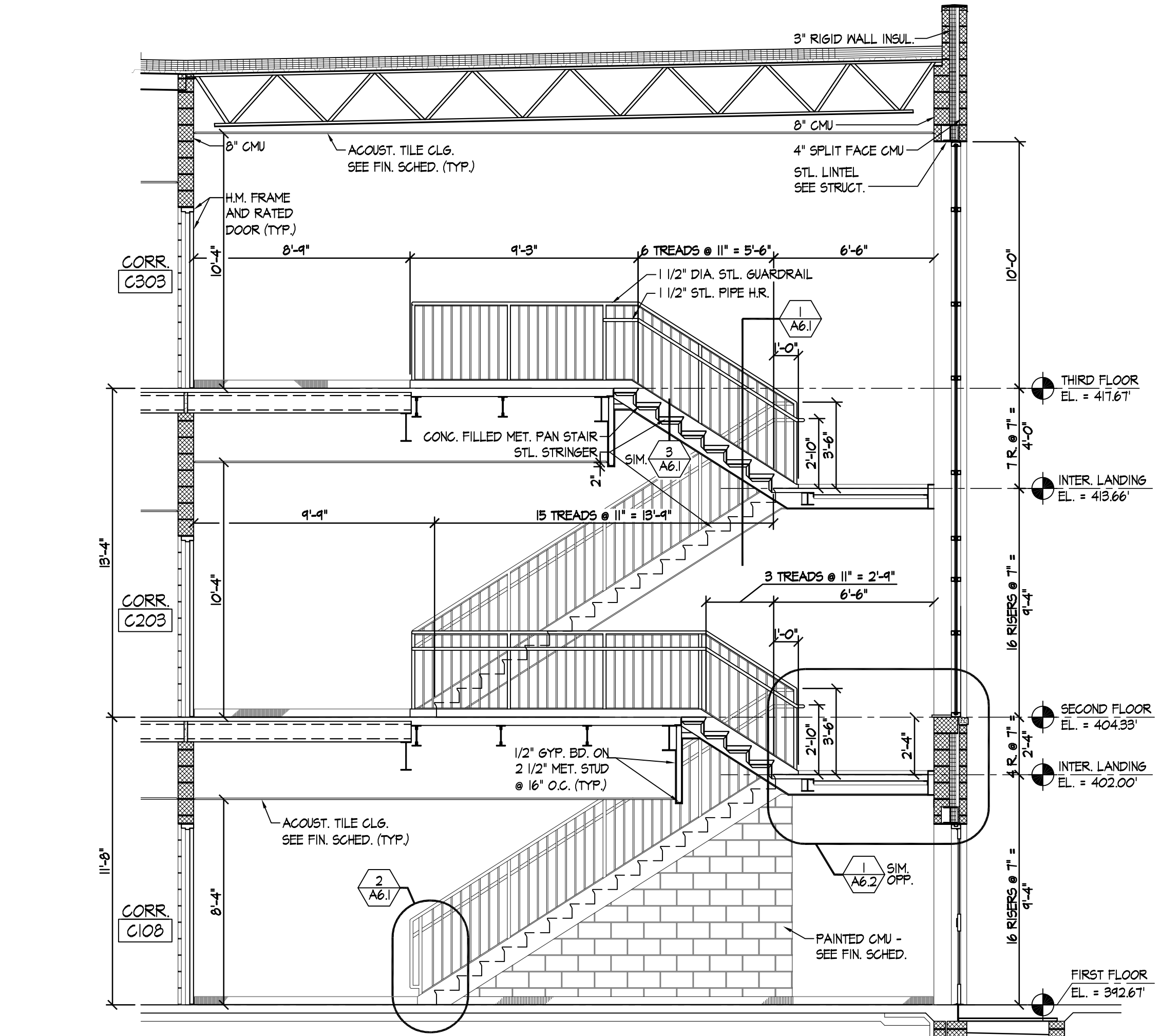
**FIRST FLOOR AT STAIR S-3**  
SCALE: 1/4" = 1'-0"



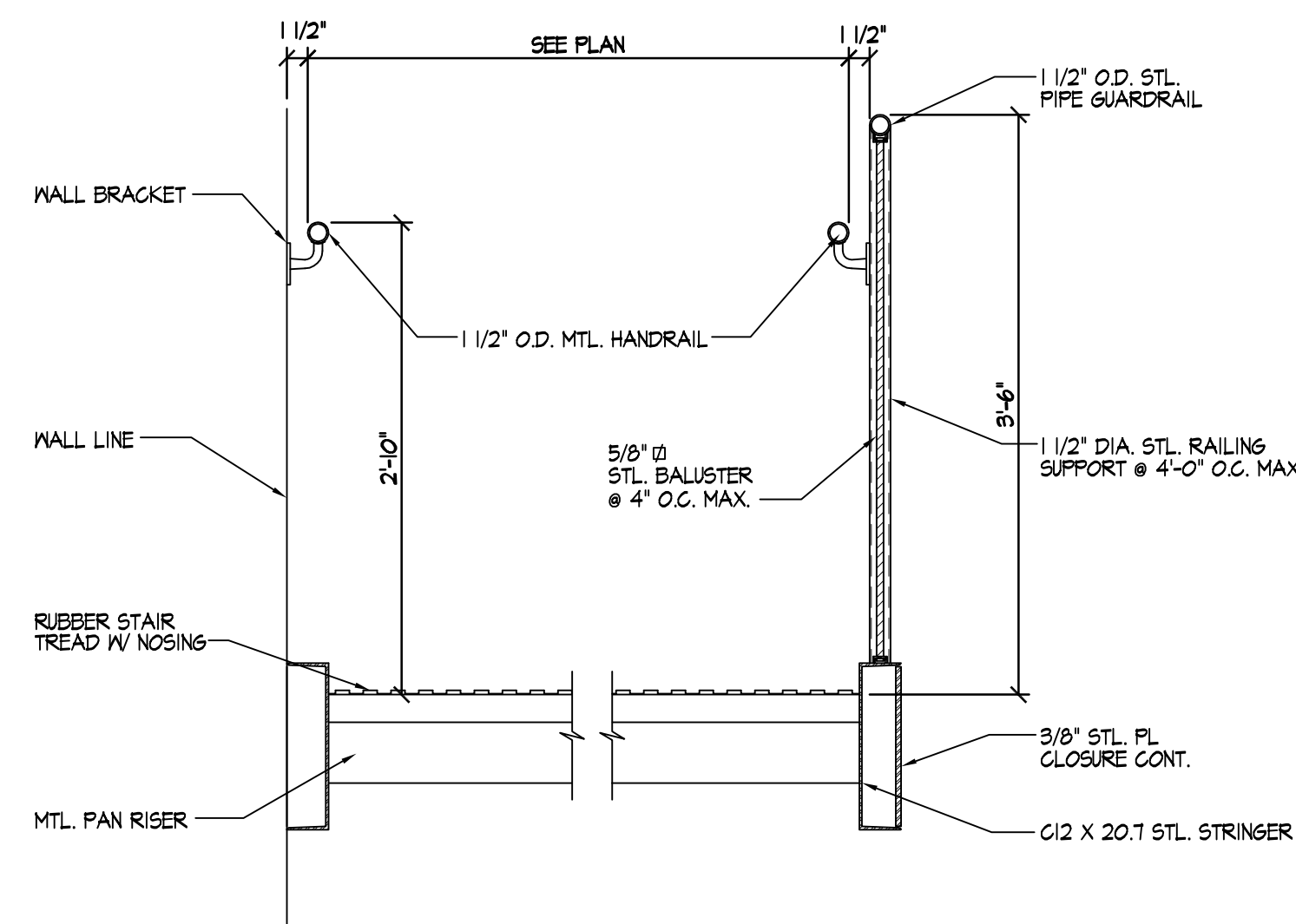
**SECOND FLOOR AT STAIR S-3**  
SCALE: 1/4" = 1'-0"



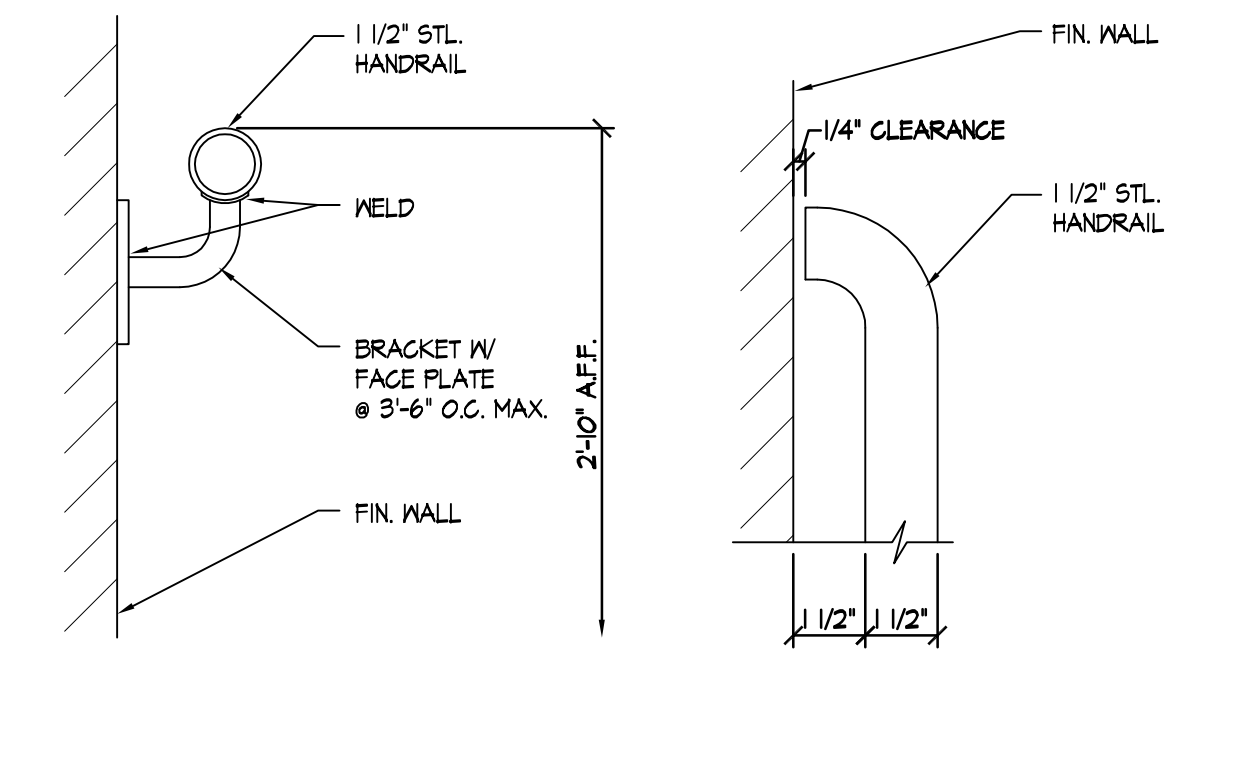
**THIRD FLOOR AT STAIR S-3**  
SCALE: 1/4" = 1'-0"



**SECTION AT STAIR S-3**  
SCALE: 1/4" = 1'-0"



**DETAIL**  
SCALE: 1" = 1'-0"



**TYP. WALL MOUNTED HANDRAIL DETAILS**  
SCALE: 3" = 1'-0"