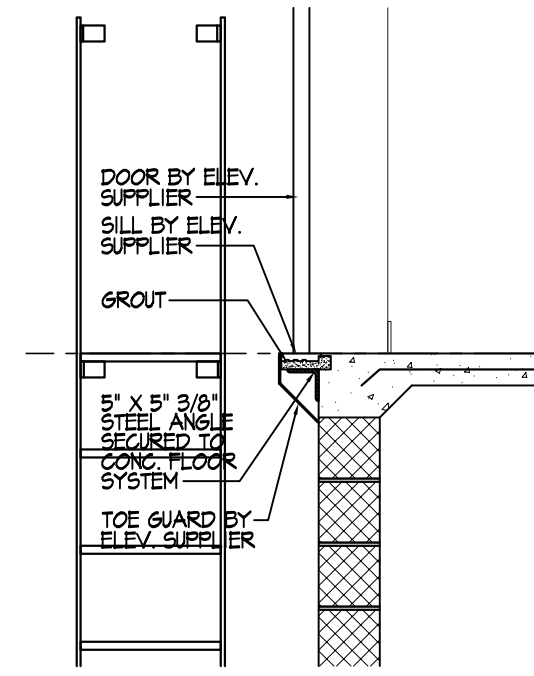
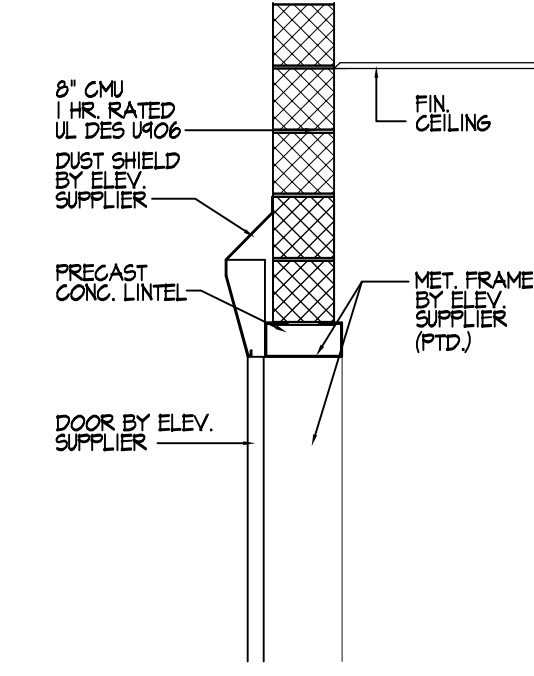


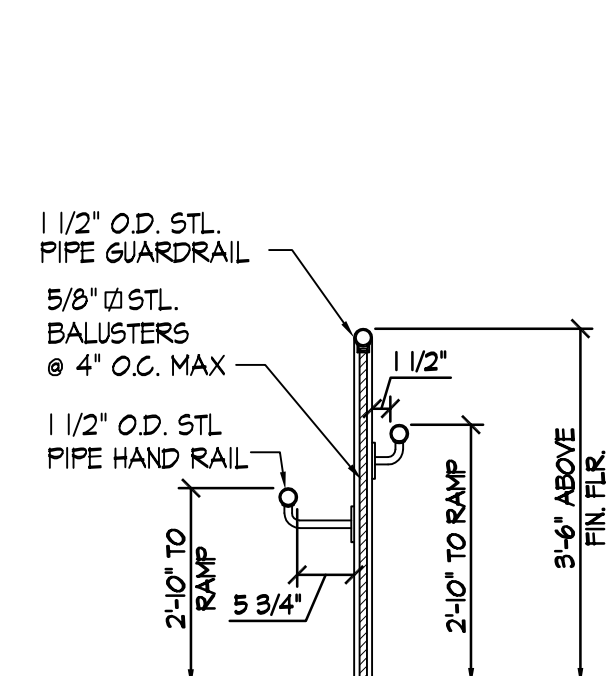
**DETAIL**  
SCALE: 1" = 1'-0" A6.2



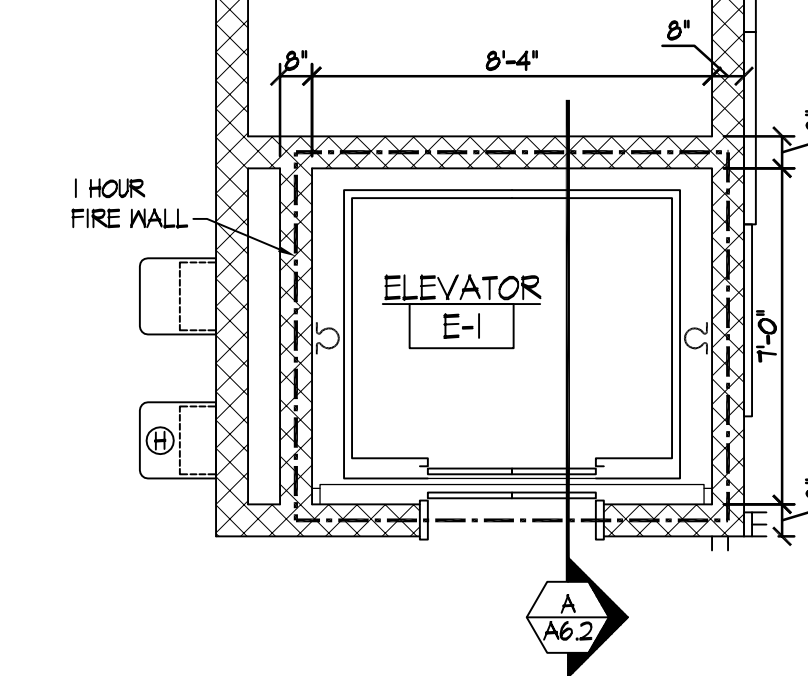
**DETAIL**  
SCALE: 1/2" = 1'-0" A6.2



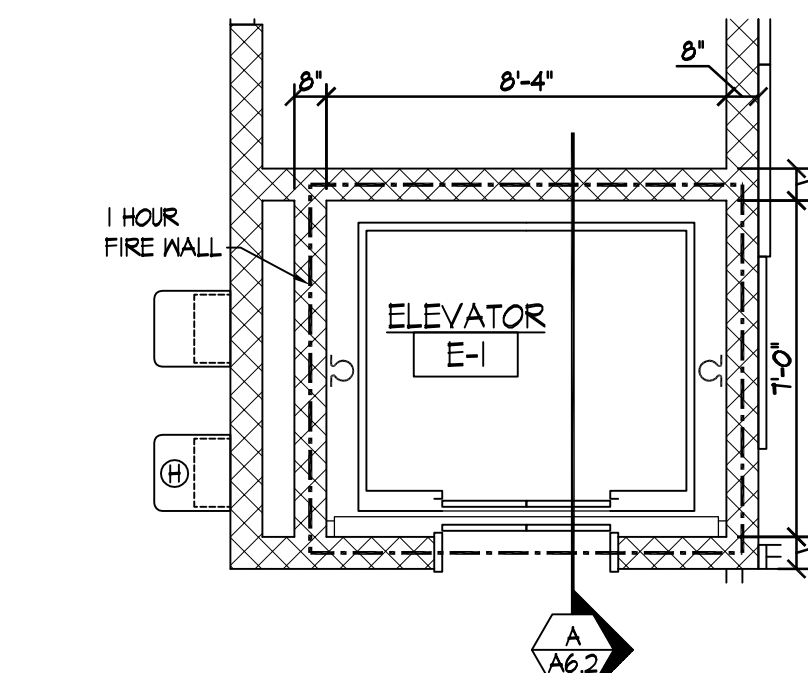
**DETAIL**  
SCALE: 1/2" = 1'-0" A6.2



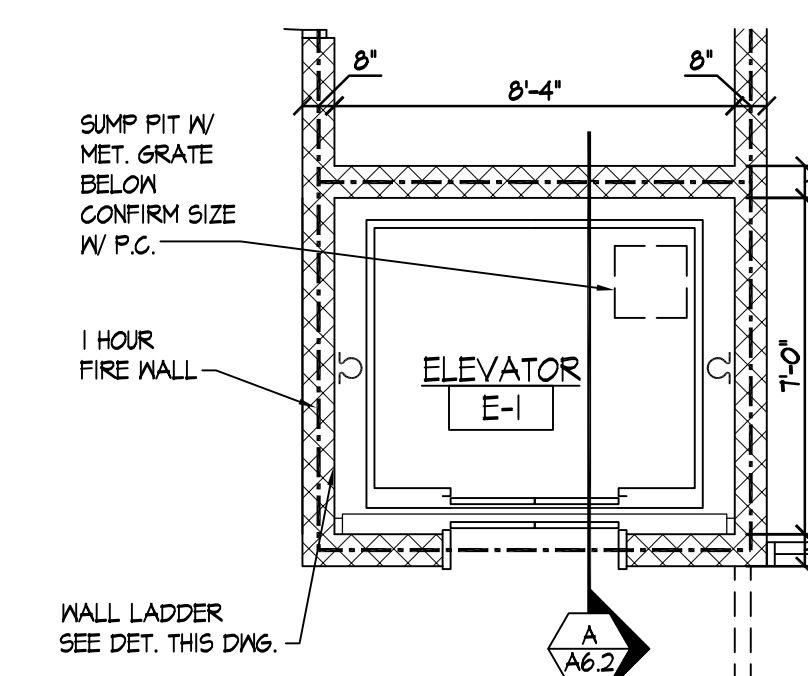
**DETAIL**  
SCALE: 3/4" = 1'-0" A6.2



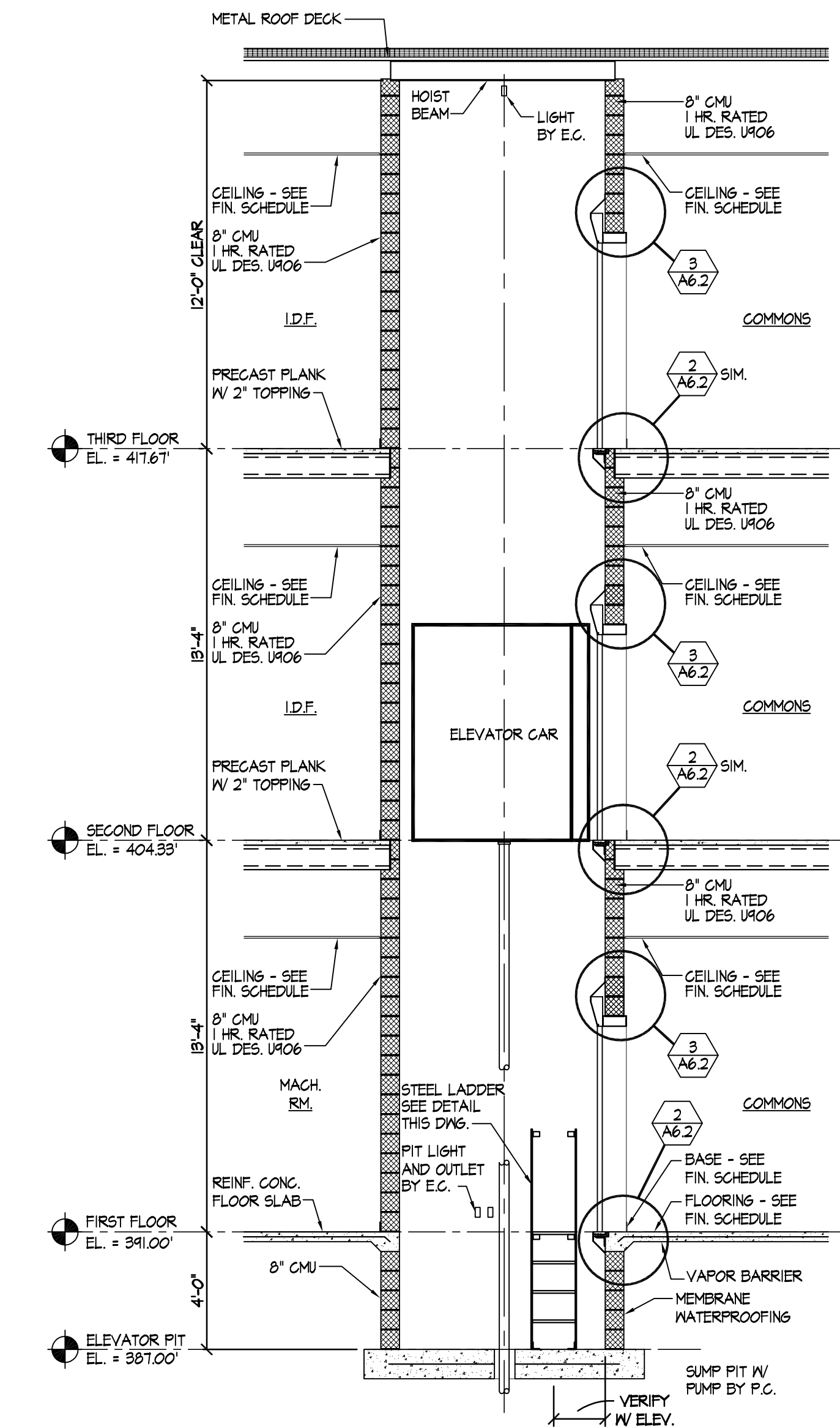
**THIRD FLOOR AT ELEV. E-1**  
SCALE: 1/4" = 1'-0"



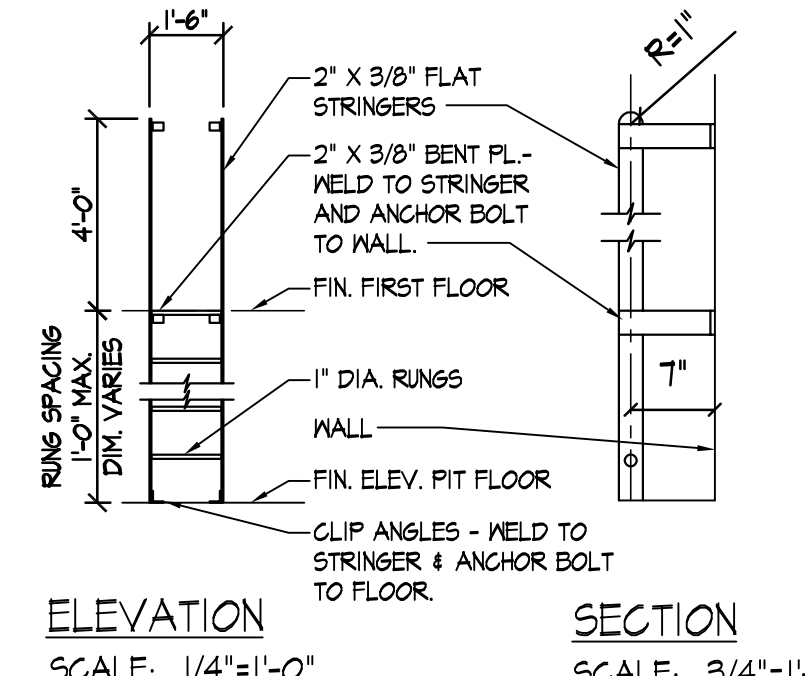
**SECOND FLOOR AT ELEV. E-1**  
SCALE: 1/4" = 1'-0"



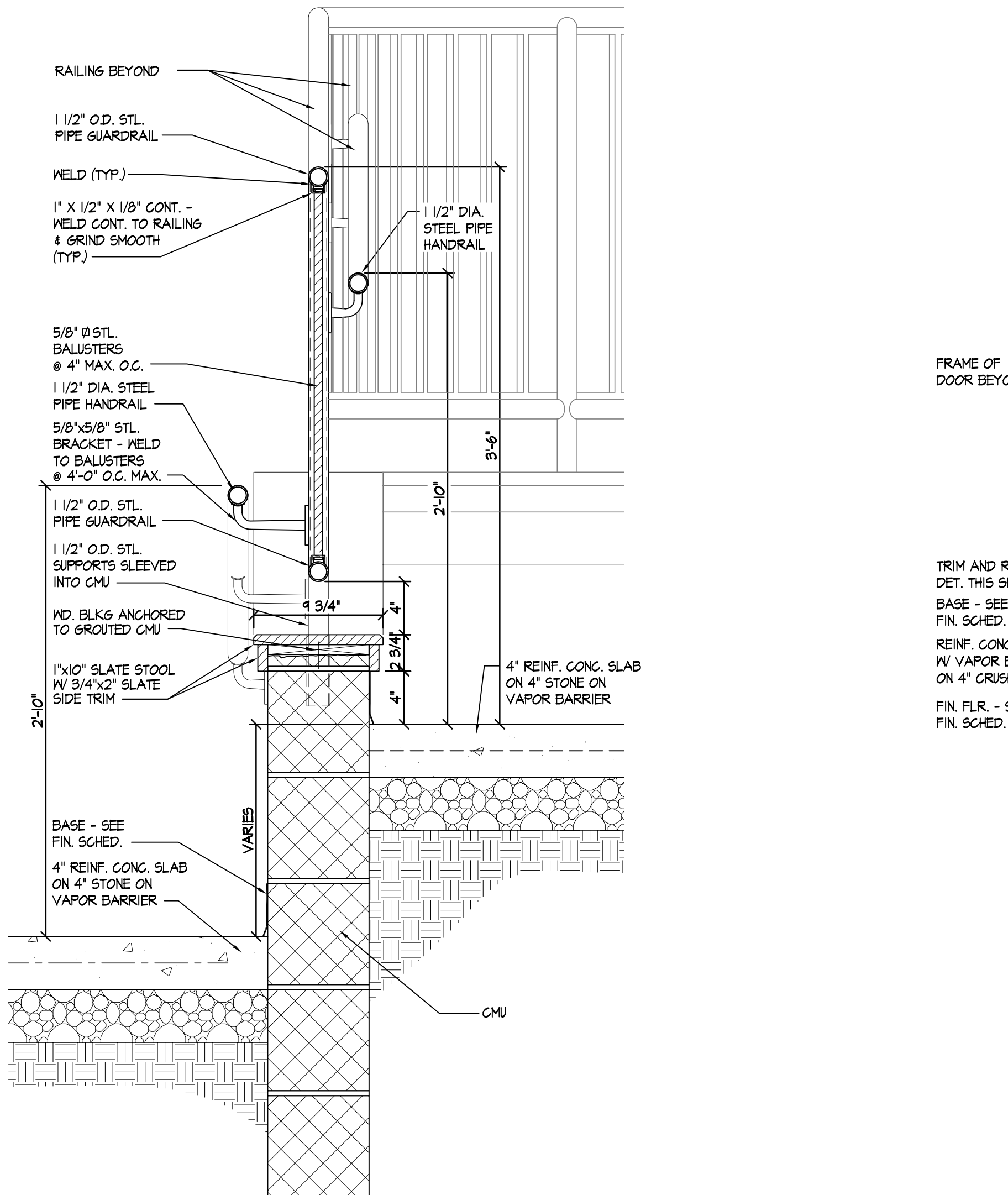
**FIRST FLOOR AT ELEV. E-1**  
SCALE: 1/4" = 1'-0"



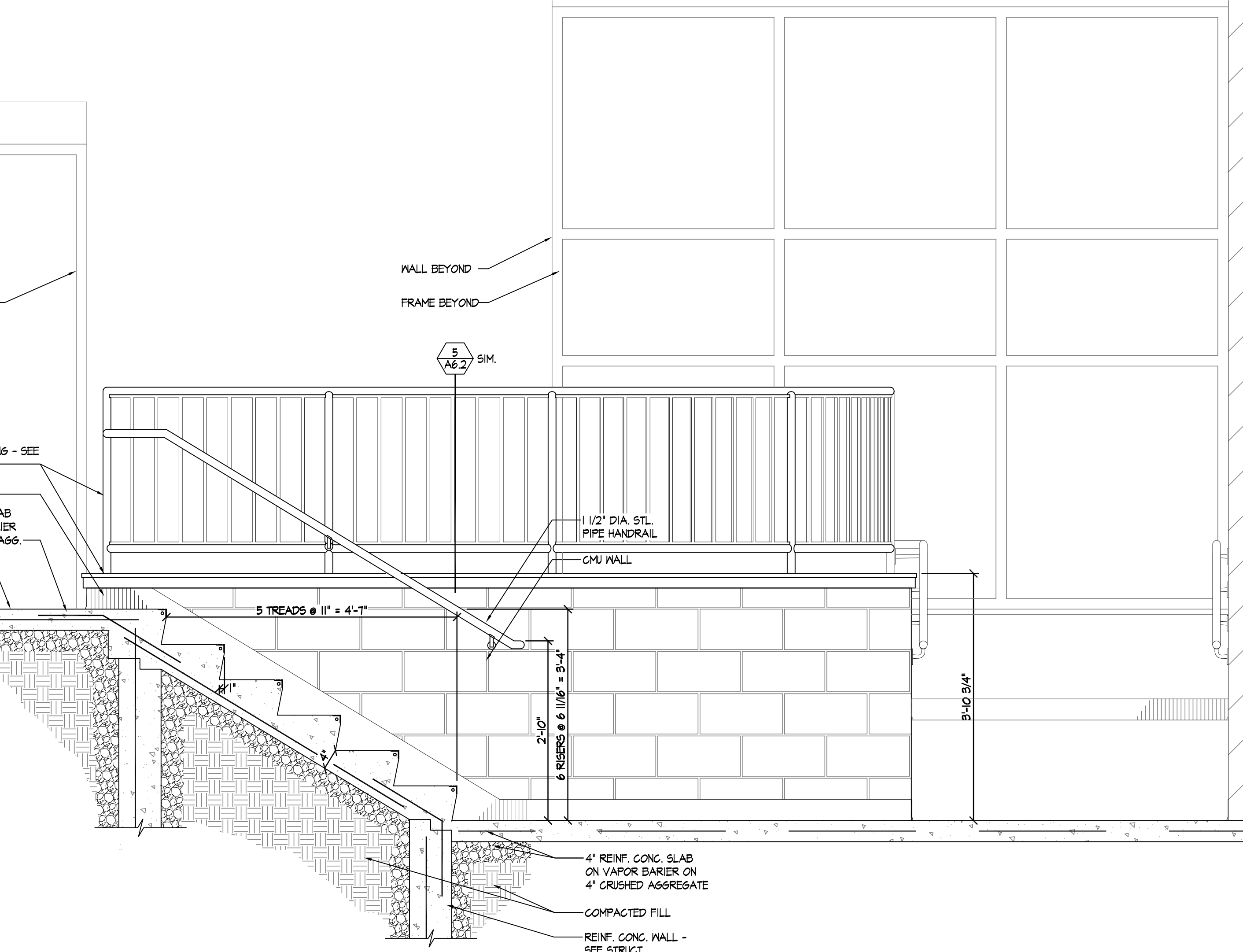
**SECTION AT ELEV. E-1**  
SCALE: 1/4" = 1'-0"



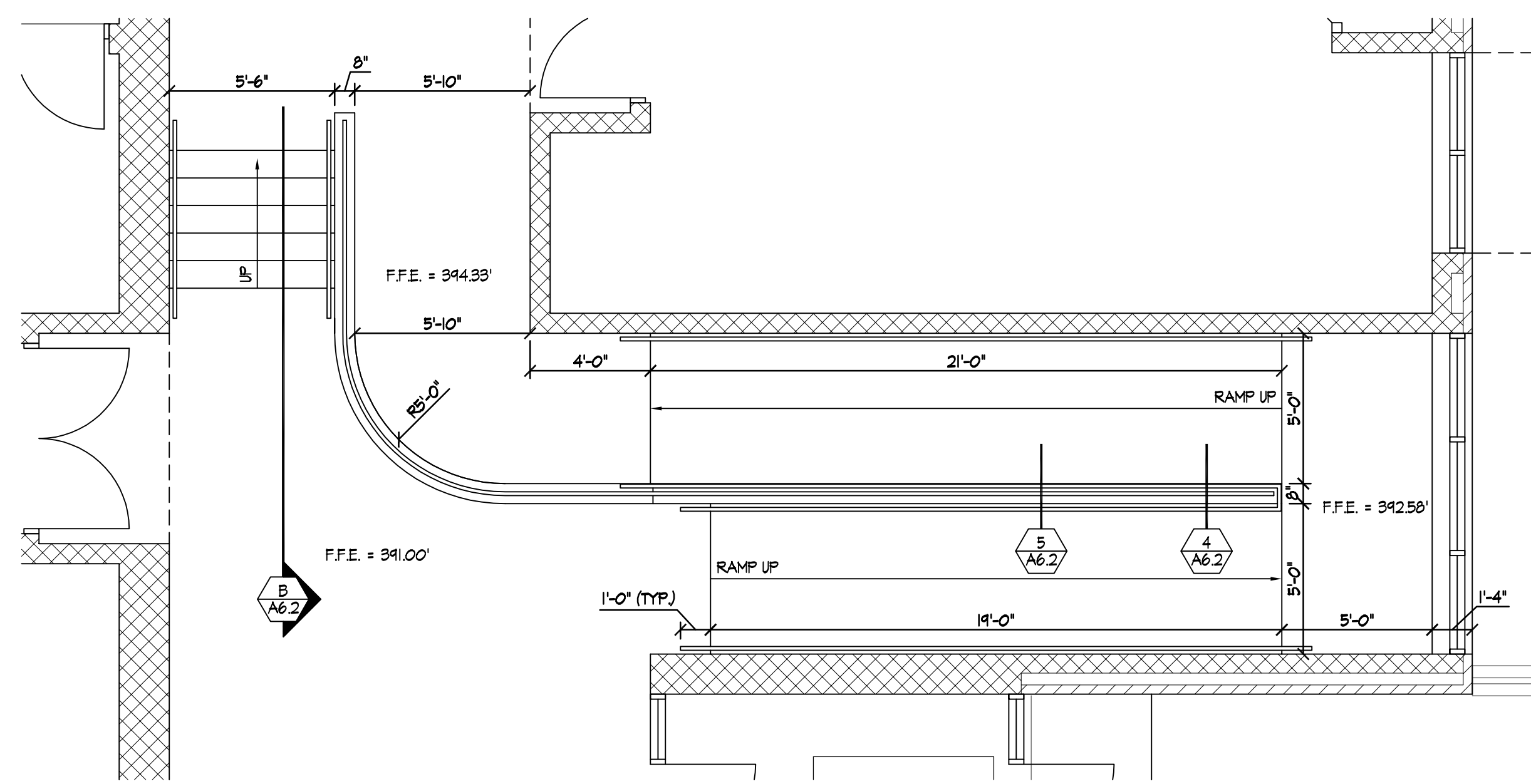
**ELEVATION**  
SCALE: 1/4" = 1'-0"  
**SECTION**  
SCALE: 3/4" = 1'-0"



**DETAIL**  
SCALE: 1/2" = 1'-0" A6.2



**SECTION AT CORR. C102**  
SCALE: 1/4" = 1'-0"



**FIRST FLOOR AT CORR. C102**  
SCALE: 1/4" = 1'-0"